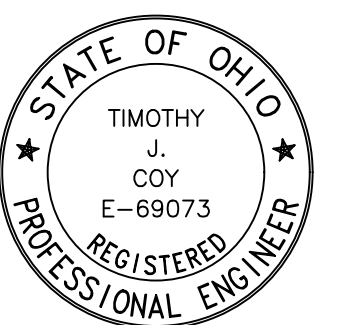


THE INFORMATION CONTAINED ON THIS DRAWING WAS ORIGINATED BY RONALD CORNELL FANIRO ARCHITECT INC. REPRODUCTION OR USE OF THIS DRAWING IS PERMITTED ONLY BY WRITTEN CONSENT OF THE ARCHITECT.

@DLIDM@DYKCHULNAMBEHT
 SCALE IN FEET



YOUNGSTOWN, OHIO

NEWPORT BRANCH LIBRARY

NEWPORT LIBRARY GARAGE ADDITION

SYMBOL SCHEDULE

SYMBOL	DESCRIPTION
\$ LV	HUBBELL LOW VOLTAGE PUSH BUTTON SWITCH
⊕	HUBBELL #HBL5352-1 20A DUPLEX RECEPTACLE 125 VOLT WITH BRASS BACK STRAP
⊕ WP OR GF WP	HUBBELL #6F20IL - WP DENOTES WEATHER PROOF COVER - HUBBELL #WP26M 6FCI DUPLEX RECEPTACLE
□	FUSED OR NONFUSED DISCONNECT AS NOTED ON DRAWINGS OR EQUIPMENT SCHEDULE(S).
⊗	FUSIBLE COMBINATION STARTER - SIZE AS NOTED ON DRAWINGS
J	JUNCTION BOX - SIZE AS REQUIRED
\$ M	MANUAL MOTOR STARTER
F	PROVIDE SYSTEM COMPATIBLE DEVICE
V F	PROVIDE SYSTEM COMPATIBLE DEVICE. WP DENOTES WEATHER PROOF
VS	LEVITON #ATD2000CRP SENSOR, #CU300M POWER PACK, 24VDC DUAL TECHNOLOGY VACANCY SENSOR TIE WALL SWITCH OR DIMMER INTO THE POWER PACK AS REQUIRED FOR MANUAL-ON OPERATION
□	CARD READER SYSTEM - RECONNECT TO EXISTING SECURITY SYSTEM AS REQUIRED.
←	LONG SLASH DENOTES NEUTRAL CONDUCTOR, SHORT SLASH DENOTES PHASE CONDUCTOR AND \ SLASH DENOTES ISOLATED GROUND CONDUCTOR

LIGHTING FIXTURE SCHEDULE

MARK	DESCRIPTION	LAMPS	VOLTS	MOUNTING	REMARKS
A	LITHONIA #UFIT-L96-8000LM-SEF-MVOLT-6ZIO-35K-80CRI 8' LED INDUSTRIAL FIXTURE	LED	120	CHAIN/SURFACE	
B	LITHONIA #UFIT-L48-4000LM-SEF-MVOLT-6ZIO-35K-80CRI 4' LED INDUSTRIAL FIXTURE	LED	120	CHAIN/SURFACE	
S1	LITHONIA #CS4XLED-30C-700-40K-TFTM-MVOLT-DDBXD LED WALL PACK	LED	120	WALL	
⚡	LITHONIA #ELM2-LED-HO 2 HEAD EMERGENCY LIGHT	LED	120	WALL	
⊗	LITHONIA #LHQM-LED-R-HORO EMERGENCY EXIT FIXTURE	LED	120	UNIVERSAL	SHADED PORTION DENOTES ORIENTATION, PROVIDE (2) FACE WHERE SHOWN OR REQUIRED.
⊗	LITHONIA #LHQM-LED-R-HO EMERGENCY EXIT FIXTURE W/ DUAL EM HEADS	LED	120	UNIVERSAL	SHADED PORTION DENOTES ORIENTATION, PROVIDE (2) FACE WHERE SHOWN OR REQUIRED.

MECHANICAL EQUIPMENT SCHEDULE

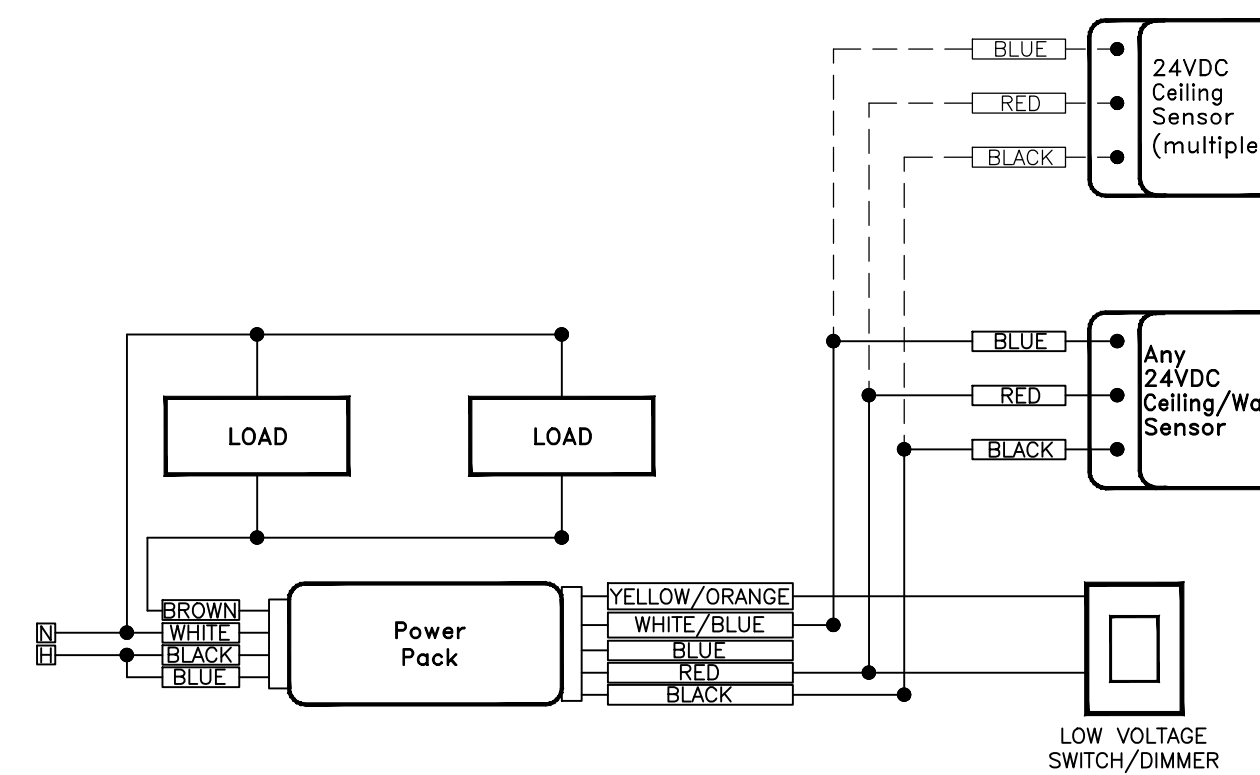
MARK	DESCRIPTION	HP	KVA	VOLTAGE/∅	STARTER	COMBO STARTER AT LOAD	SAFETY SWITCH AT LOAD	NOTES
EF-1	EXHAUST FAN	1/2		120/1	N/A	SIZE 1 30A 2P SW 3P 15A FUSE	N/A	1, 4
UH-1	UNIT HEATER	FRAC		120/1	N/A	N/A	MANUAL	2, 5

MECHANICAL EQUIPMENT SCHEDULE NOTES:

- MAKE FIELD CONNECTIONS WITH LIQUIDTITE, SEALTITE AND FITTINGS. SIZE AS NOTED OR REQUIRED.
- MAKE FIELD CONNECTIONS WITH GREENFIELD FLEX AND FITTINGS. SIZE AS NOTED OR REQUIRED.
- FURNISH AND INSTALL SAFETY SWITCH AND FUSE AS NOTED AND PROVIDE SUPPORTS AS REQUIRED.
- FURNISH AND INSTALL COMBINATION FUSIBLE STARTER AND FUSE AS NOTED AND PROVIDE SUPPORTS AS REQUIRED. STARTERS SHALL HAVE (2) NORMALLY OPEN AND (2) NORMALLY CLOSED AUXILIARY CONTACTS AND H-O-A SELECTOR AND GFT.
- FURNISH AND INSTALL MANUAL MOTOR STARTER.

PANEL "W" EXISTING							
225 AMP MLO		3 PH		4 W 208/120 VOLT		AIC SURFACE MTD	
DESCRIPTION	CIR NO	LOAD	C.B. AMP	C.B. AMP	LOAD	CIR NO	DESCRIPTION
EXISTING	1		20	20		2	EXISTING
	3		20	20		4	
	5		20	20		6	
	7		20	20		8	
	9		20	20		10	
OVERHEAD DOOR	11	1000	20	20		12	
OVERHEAD DOOR	13	1000	20	20		14	
OVERHEAD DOOR	15	1000	20	20		16	
EXISTING	17		20	20		18	
	19		20	20		20	
	21		20	20		22	
	23		20	20		24	
	25		20	20		26	
LTG VEHICLE BAY	27	1200	20	20		28	
SPARE	29		20	20		30	
RECEPS	31	720	20	20		32	
RECEPS	33	720	20	20		34	
EF-1	35	1176	20	20		36	
EXISTING	37		20	20	500	38	UNIT HEATER
	39		20	20	500	40	JUNCTION BOX
	41		20	20		42	SPARE

NOTES:



VACANCY SENSOR WIRING DIAGRAM

N.T.S.

